



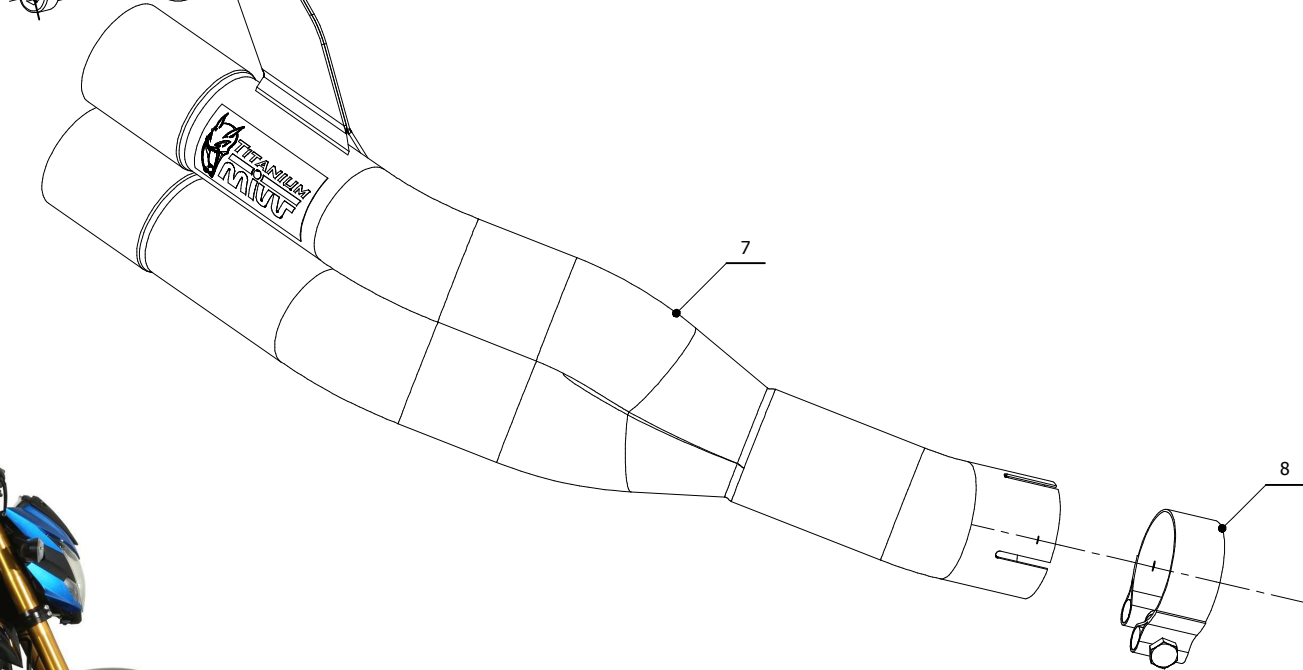
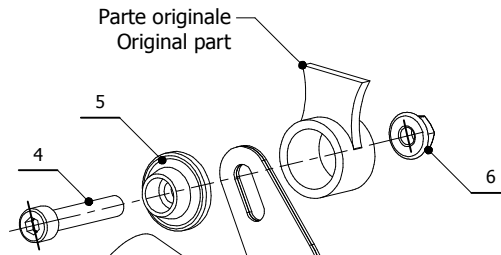
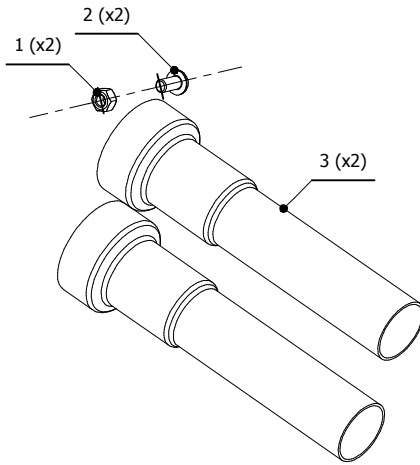
**MODEL** SUZUKI GSX-S 750

**YEAR** 2017 -->

**LINE** SLIP ON

**MUFFLER** DOUBLE GUN

**SCHEMATIC**



ELENCO PARTI / PARTS LIST			
#	QTÀ / QTY	DESCRIZIONE / DESCRIPTION	CODICE / CODE
1	2	Dado M5 / M5 nut	50.73.267.1
2	2	Vite M5 x 8 / Screw M5 x 8	50.73.459.1
3	2	DB killer / DB killer	50.DK.059.0
4	1	Vite M8x45 / Screw M8x45	50.73.602.1
5	1	Rondella in alluminio nera / Black aluminium washer	50.73.221.1
6	1	Dado M8 flangiato / Flanged nut M8	50.73.393.1
7	1	Silenziatore / Muffler	DOUBLE GUN
8	1	Fascetta Ø 44/47 mm / Pipe clamp Ø 44/47 mm	50.FA.006.1



APPLICAZIONI / APPLICATIONS		
CODICE / CODE	TUBO / PIPE	SILENZIATORE / MUFFLER
S.048.SDG	////	TITANIO / TITANIUM