



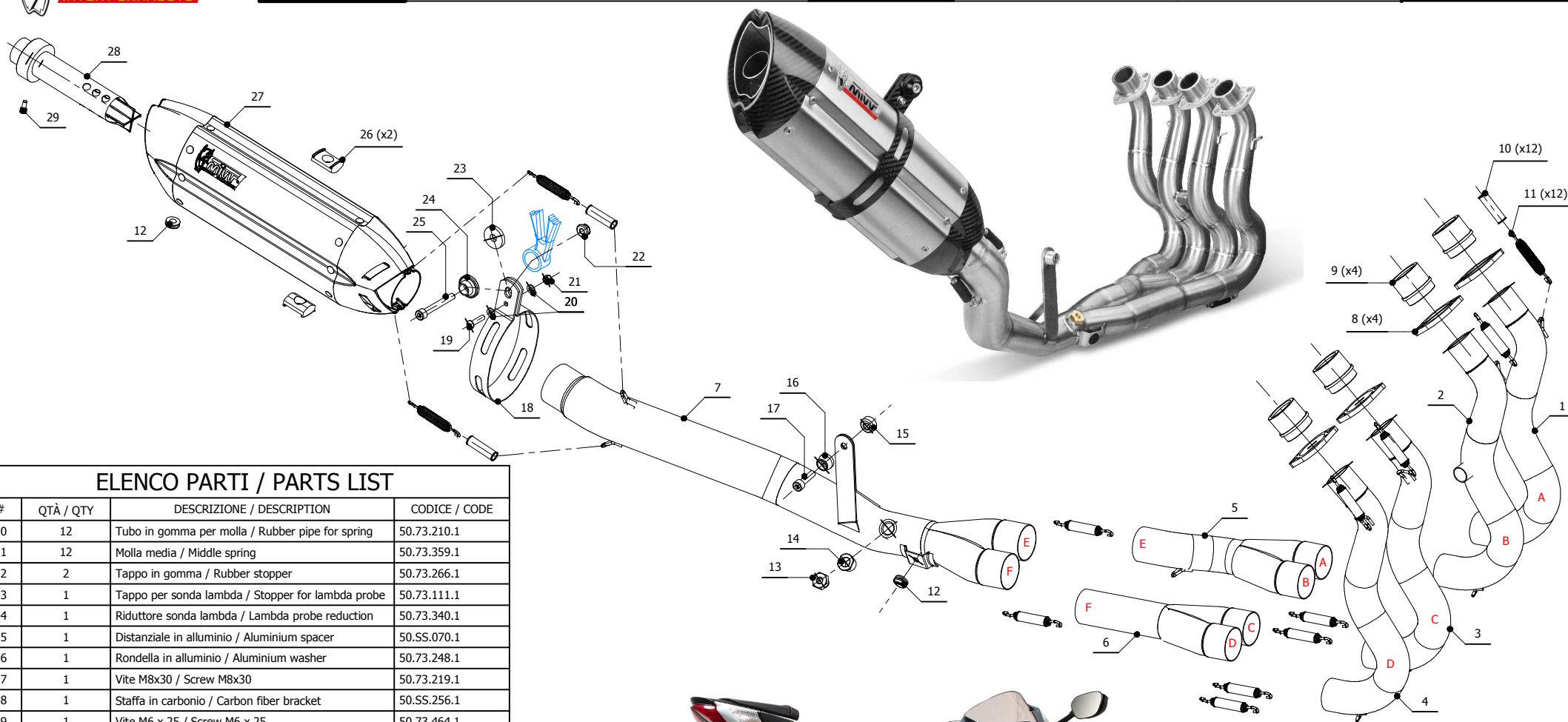
**MODEL** SUZUKI GSX-R 600/750

**YEAR** 2011-

**LINE** FULL SYSTEM

**MUFFLER** SUONO

**SCHEMATIC**



**ELENCO PARTI / PARTS LIST**

#	QTÀ / QTY	DESCRIZIONE / DESCRIPTION	CODICE / CODE
10	12	Tubo in gomma per molla / Rubber pipe for spring	50.73.210.1
11	12	Molla media / Middle spring	50.73.359.1
12	2	Tappo in gomma / Rubber stopper	50.73.266.1
13	1	Tappo per sonda lambda / Stopper for lambda probe	50.73.111.1
14	1	Riduttore sonda lambda / Lambda probe reduction	50.73.340.1
15	1	Distanziale in alluminio / Aluminium spacer	50.SS.070.1
16	1	Rondella in alluminio / Aluminium washer	50.73.248.1
17	1	Vite M8x30 / Screw M8x30	50.73.219.1
18	1	Staffa in carbonio / Carbon fiber bracket	50.SS.256.1
19	1	Vite M6 x 25 / Screw M6 x 25	50.73.464.1
20	2	Rondella M6 / Washer M6	50.72.027.1
21	1	Dado M6 / Nut M6	50.73.146.1
22	1	Dado M8 flangiato / Flanged nut M8	50.73.393.1
23	1	Rondella in gomma / Rubber washer	50.73.227.1
24	1	Rondella in alluminio nera / Black aluminium washer	50.73.221.1
25	1	Vite M8x60 / Screw M8x60	50.73.078.1
26	2	Tassello grande / Rubber big block	50.73.203.1
27	1	Silenziatore / Muffler	SUONO 270
28	1	DB killer / DB killer	50.DK.070.0
29	1	Vite M5x12 / Screw M5 x 12	50.73.628.1

**ELENCO PARTI / PARTS LIST**

#	QTÀ / QTY	DESCRIZIONE / DESCRIPTION	CODICE / CODE
1	1	Collettore #1 / Down pipe #1	97XSU0001A
2	1	Collettore #2 / Down pipe #2	97XSU0001B
3	1	Collettore #3 / Down pipe #3	97XSU0001C
4	1	Collettore #4 / Down pipe #4	97XSU0001D
5	1	Tube di raccordo 2-1 / Link pipe 2-1	97XSU0001E
6	1	Tube di raccordo 2-1 / Link pipe 2-1	97XSU0001F
7	1	Tube di raccordo / Link pipe	97XSU0001G
8	4	Flangia in alluminio / Aluminium flange	50.73.339.1
9	4	Boccola / Bush	50.73.452.1

**APPLICAZIONI / APPLICATIONS**

CODICE / CODE	SILENZIATORE / MUFFLER	TUBO / PIPE	FASCETTA / CLAMP
00.X.SU.0001.S7	INOX (COPPE CARBONIO) / ST. STEEL (CARBON CAPS)	INOX / ST. STEEL	CARBONIO / CARBON FIBER

