



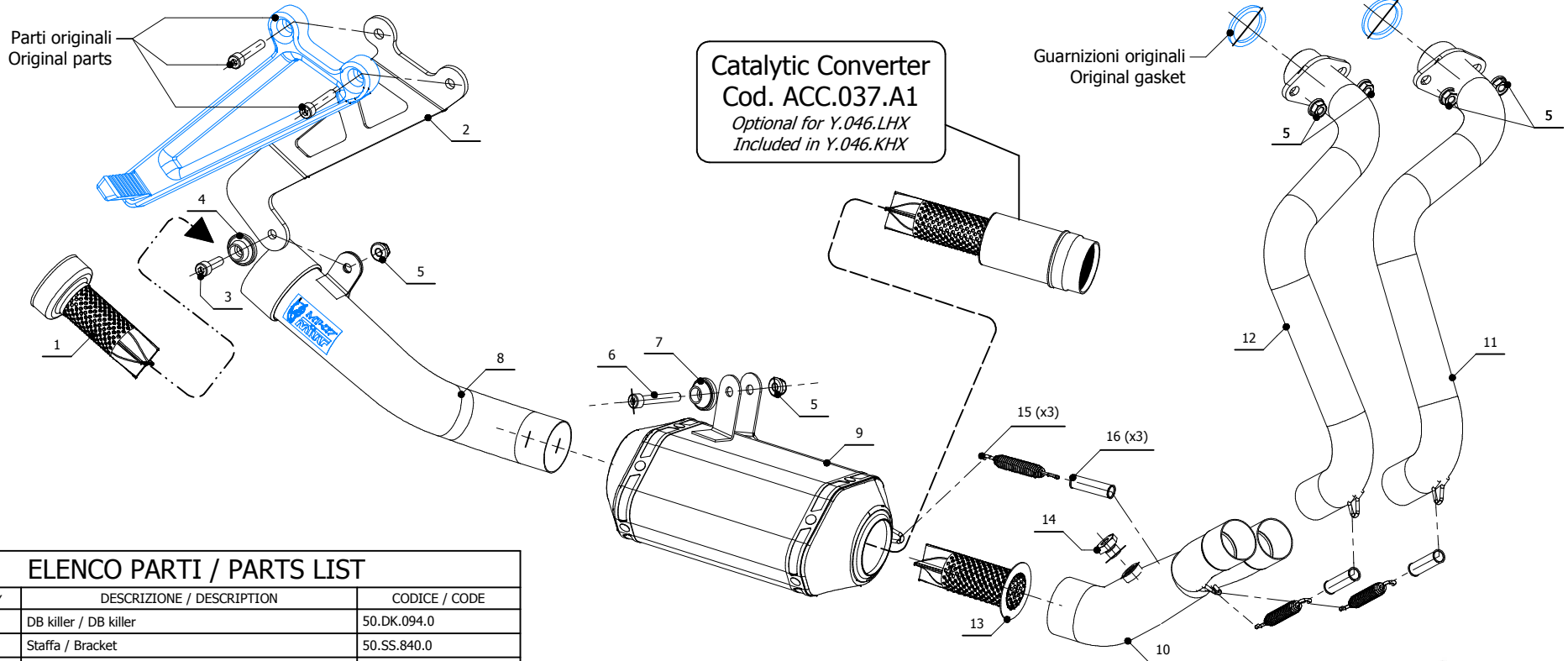
**MODEL** YAMAHA MT-07

**YEAR** 2014 - 2016

**LINE** FULL SYSTEM

**MUFFLER** SPEED EDGE

**SCHEMATIC**



**ELENCO PARTI / PARTS LIST**

#	QTÀ / QTY	DESCRIZIONE / DESCRIPTION	CODICE / CODE
1	1	DB killer / DB killer	50.DK.094.0
2	1	Staffa / Bracket	50.SS.840.0
3	1	Vite M8x25 / Screw M8x25	50.73.064.1
4	1	Rondella in alluminio nera / Black aluminium washer	50.73.221.1
5	6	Dado M8 flangiato / Flanged nut M8	50.73.393.1
6	1	Vite M8x50 / Screw M8x50	50.73.074.1
7	1	Rondella alluminio / Aluminium washer	50.73.291.1
8	1	Tubo di uscita / End pipe	9773Y046SHXB
9	1	Silenziatore / Muffler	9873Y046SHXA
10	1	Tubo di raccordo 2-1 / Link pipe 2-1	9773Y052C1C
11	1	Collettore #1 / Down pipe #1	9773Y044C1A
12	1	Collettore #2 / Down pipe #2	9773Y044C1B
13	1	Db Killer forato / Drilled DB killer	50.DK.082.0
14	1	Tappo per sonda lambda / Stopper for lambda probe	50.73.111.1
15	3	Molla media / Middle spring	50.73.359.1
16	3	Tubo in gomma per molla / Rubber pipe for spring	50.73.210.1

**APPLICAZIONI / APPLICATIONS**

CODICE / CODE	TUBO / PIPE	SILENZIATORE / MUFFL	NOTE
Y.046.LHX	INOX / ST. STEEL	INOX / ST. STEEL	CATALYTIC CONVERTER NOT INCLUDED
Y.046.KHX	INOX / ST. STEEL	INOX / ST. STEEL	CATALYTIC CONVERTER INCLUDED

