



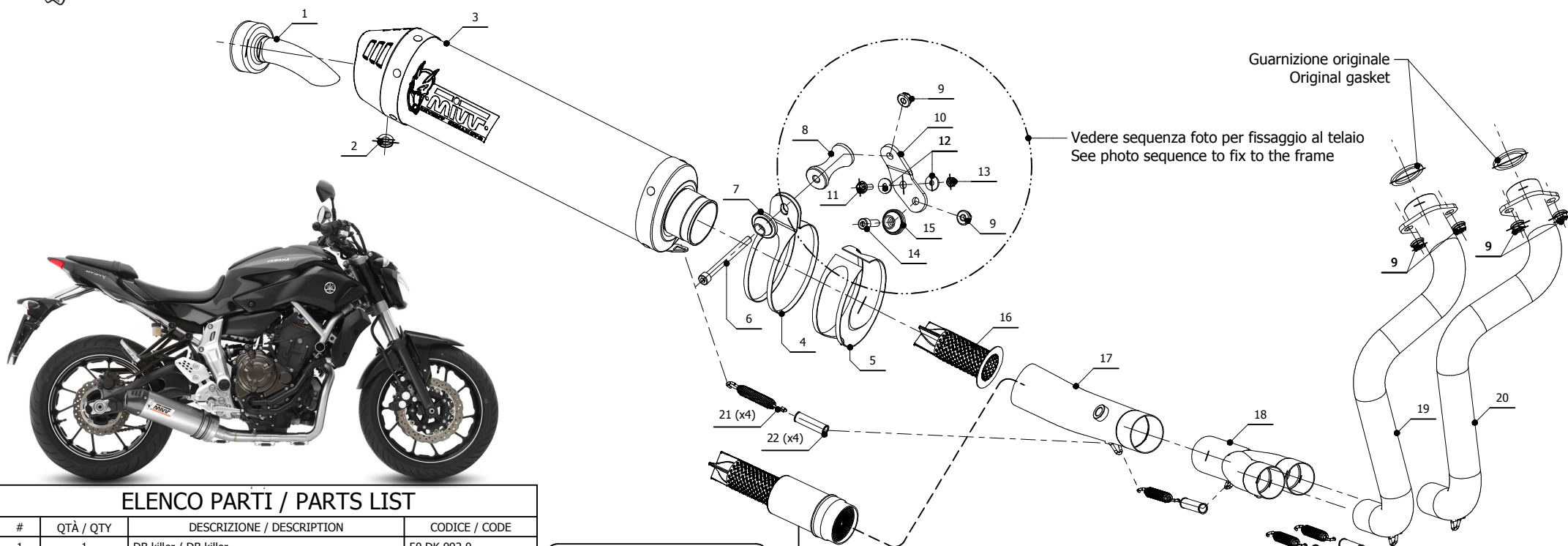
MODEL YAMAHA MT-07

YEAR 2014 - 2016

LINE FULL SYSTEM

MUFFLER OVAL CARBON CAP

SCHEMATIC

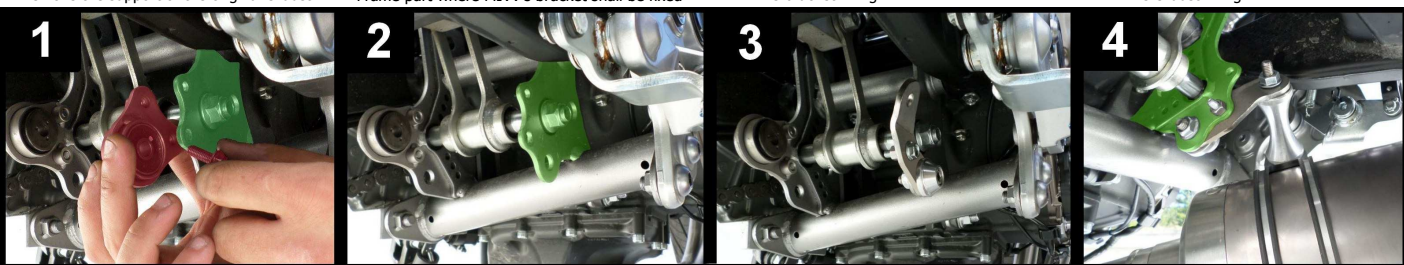


ELENCO PARTI / PARTS LIST

#	QTÀ / QTY	DESCRIZIONE / DESCRIPTION	CODICE / CODE
1	1	DB killer / DB killer	50.DK.092.0
2	1	Tappo in gomma / Rubber stopper	50.73.266.1
3	1	Silenziatore / Muffler	OVAL CARBON CAP 360
4	1	Staffa / Bracket	50.SS.030.0
5	1	Protezione per staffa / Bracket protection	50.73.077.1
6	1	Vite M8x90 / Screw M8x90	50.73.073.1
7	1	Rondella in alluminio / Aluminium washer (Ø35mm)	50.73.063.1
8	1	Distanziale in alluminio / Aluminium spacer	50.SS.722.1
9	6	Dado M8 flangiato / Flanged nut M8	50.73.393.1
10	1	Staffa / Bracket	50.SS.844.0
11	1	Vite M6x20 / Screw M6x20	50.73.420.1
12	2	Rondella M6 / Washer M6	50.73.187.1
13	1	Dado M6 autobloccante / M6 locknut	50.73.112.1
14	1	Vite M8x25 / Screw M8x25	50.73.064.1
15	1	Rondella alluminio / Aluminium washer (Ø30mm)	50.73.291.1
16	1	Db Killer forato / Drilled DB killer	50.DK.082.0
17	1	Tubo di raccordo / Link pipe	9773Y04452
18	1	Tubo di raccordo 2-1 / Link pipe 2-1	9773Y044C1C
19	1	Collettore #2 / Down pipe #2	9773Y044C1B
20	1	Collettore #1 / Down pipe #1	9773Y044C1A
21	4	Molla media / Middle spring	50.73.359.1
22	4	Gommino per molla / Rubber for spring	50.73.210.1

Catalytic Converter
Cod. ACC.037.A1
Optional for Y.044.L3C - Y.044.L4C
Included in Y.044.K3C - Y.044.K4C

- Rimuovere il supporto del terminale originale / Remove the support of the original exhaust
- Parte di telaio su cui fissare la staffetta MIVV / Frame part where MIVV's bracket shall be fixed
- Fissaggio staffetta MIVV / MIVV's bracket fixing
- Fissaggio terminale MIVV / MIVV's exhaust fixing



APPLICAZIONI / APPLICATIONS

CODICE / CODE	SILENZIATORE / MUFFLER	TUBO / PIPE	FASCETTA / CLAMP	NOTE
Y.044.L3C	CARBONIO (COPPA CARBONIO) / CARBON (CARBON CAP)	INOX / ST.STEEL	INOX / ST.STEEL	CATALYTIC CONVERTER NOT INCLUDED
Y.044.L4C	TITANIO (COPPA CARBONIO) / TITANIUM (CARBON CAP)	INOX / ST.STEEL	INOX / ST.STEEL	CATALYTIC CONVERTER INCLUDED
Y.044.K3C	CARBONIO (COPPA CARBONIO) / CARBON (CARBON CAP)	INOX / ST.STEEL	INOX / ST.STEEL	CATALYTIC CONVERTER NOT INCLUDED
Y.044.K4C	TITANIO (COPPA CARBONIO) / TITANIUM (CARBON CAP)	INOX / ST.STEEL	INOX / ST.STEEL	CATALYTIC CONVERTER INCLUDED