



MODEL SYM MAXSYM 400 i

YEAR 2011

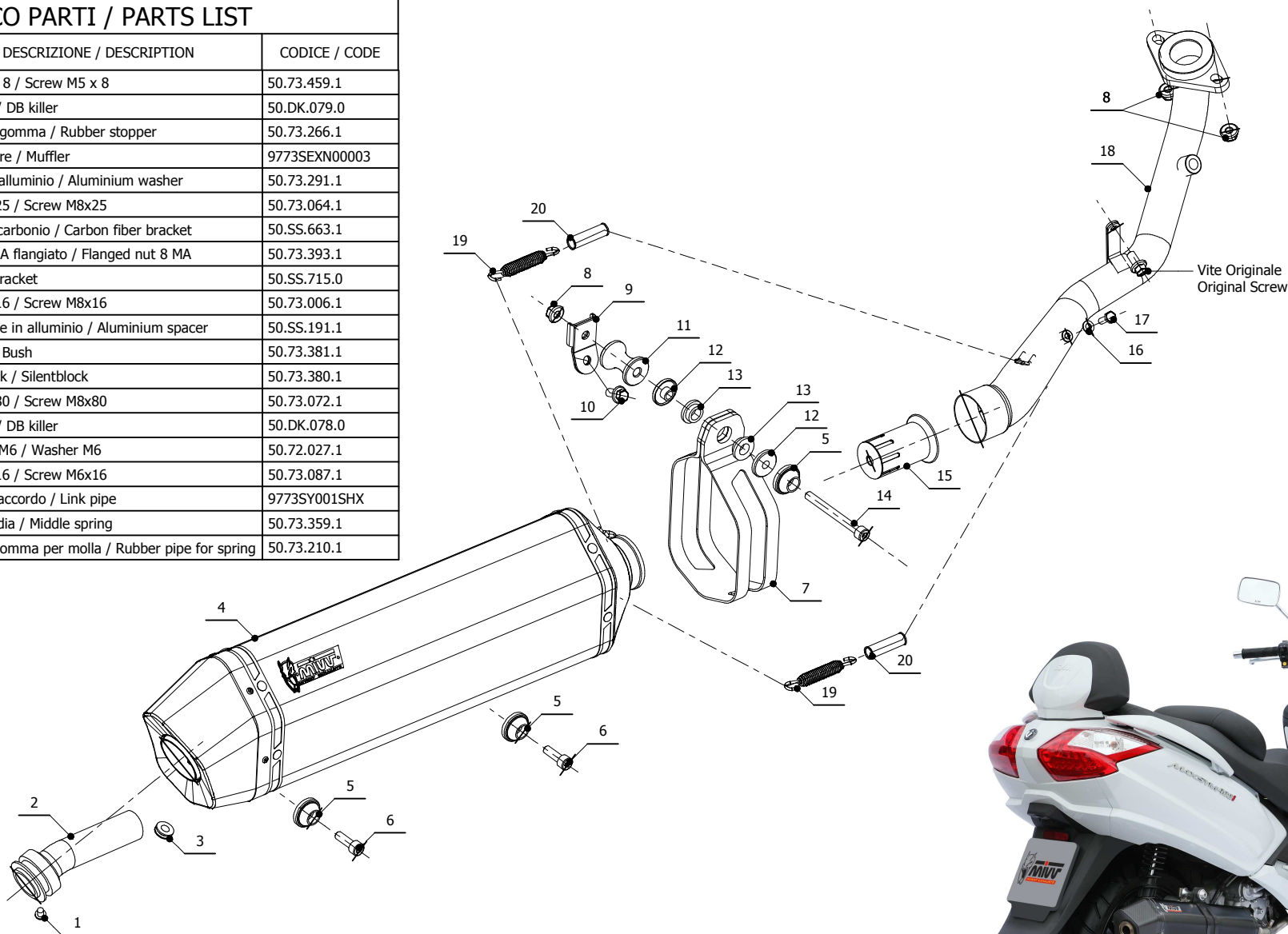
LINE SPORT

MUFFLER SPEED EDGE

SCHEMATIC

ELENCO PARTI / PARTS LIST

#	QTÀ / QTY	DESCRIZIONE / DESCRIPTION	CODICE / CODE
1	1	Vite M5 x 8 / Screw M5 x 8	50.73.459.1
2	1	DB killer / DB killer	50.DK.079.0
3	1	Tappo in gomma / Rubber stopper	50.73.266.1
4	1	Silenziatore / Muffler	9773SEXN00003
5	3	Rondella alluminio / Aluminium washer	50.73.291.1
6	2	Vite M8x25 / Screw M8x25	50.73.064.1
7	1	Staffa in carbonio / Carbon fiber bracket	50.SS.663.1
8	3	Dado 8 MA flangiato / Flanged nut 8 MA	50.73.393.1
9	1	Staffa / Bracket	50.SS.715.0
10	1	Vite M8x16 / Screw M8x16	50.73.006.1
11	1	Distanziale in alluminio / Aluminium spacer	50.SS.191.1
12	2	Boccola / Bush	50.73.381.1
13	2	Silentblock / Silentblock	50.73.380.1
14	1	Vite M8x80 / Screw M8x80	50.73.072.1
15	1	DB killer / DB killer	50.DK.078.0
16	1	Rondella M6 / Washer M6	50.72.027.1
17	1	Vite M6x16 / Screw M6x16	50.73.087.1
18	1	Tubo di raccordo / Link pipe	9773SY001SHX
19	2	Molla media / Middle spring	50.73.359.1
20	2	Tubo in gomma per molla / Rubber pipe for spring	50.73.210.1



APPLICAZIONI / APPLICATIONS

CODICE / CODE	TUBO / PIPE	SILENZIATORE / MUFFLER	FASCETTA / CLAMP
SY.001.LHB	INOX / ST. STEEL	STEEL BLACK	CARBONIO / CARBON FIBER

